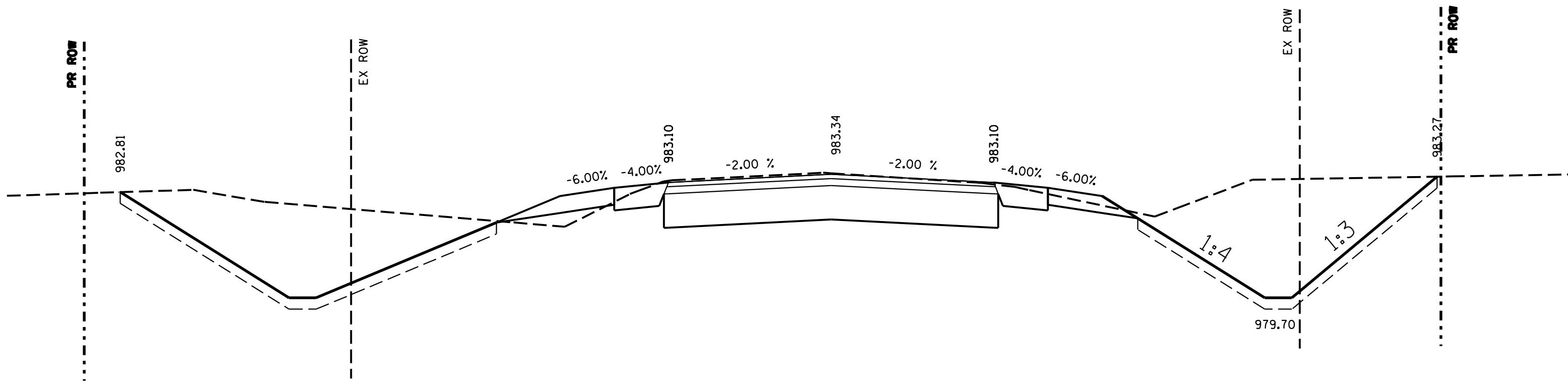
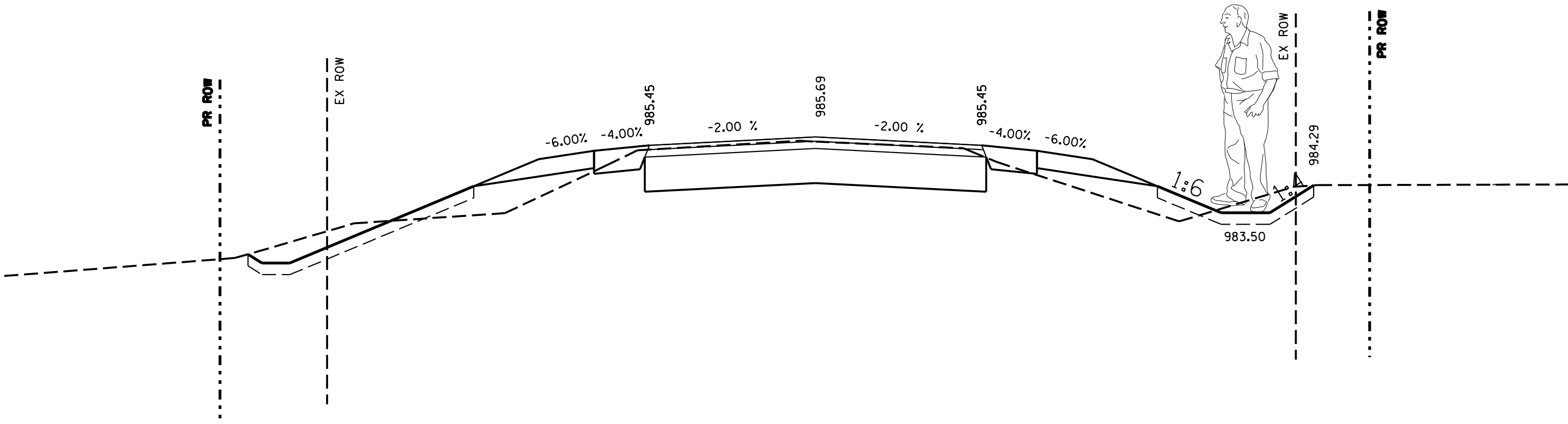


Typical Farmland Ditch – 6:1 / 4:1

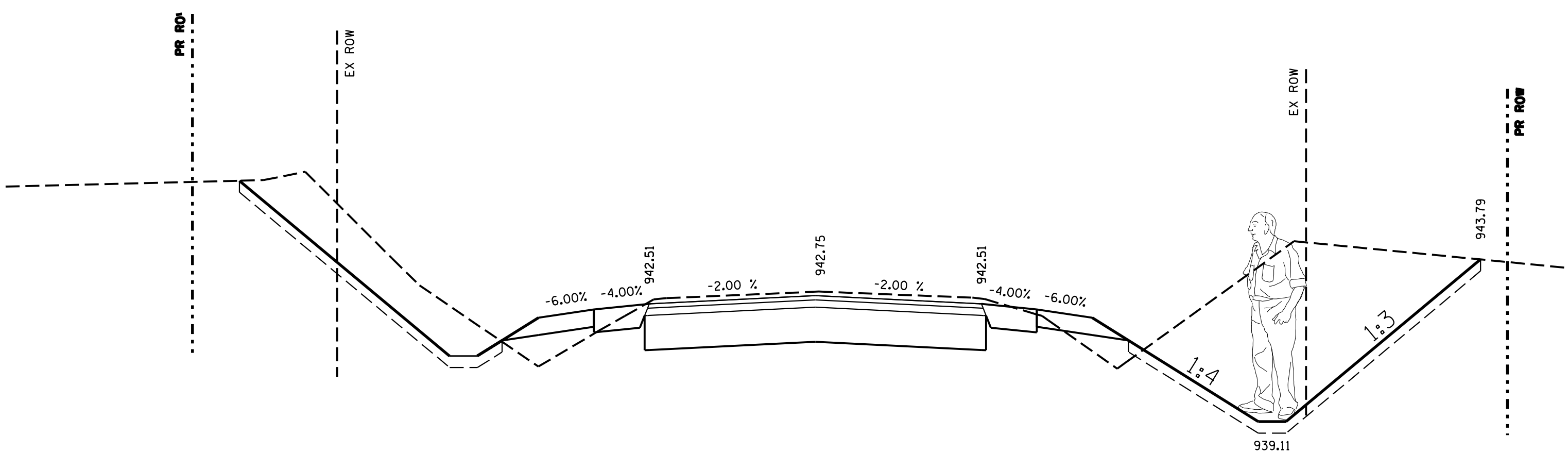


Typical Reduced Ditch – 4:1 / 3:1



Shallow Ditch Section

Note: Vertical and horizontal scales are distorted. The height of the man is proportional to the depth of the ditch.



Deep Ditch Section